

# United States Patent [19]

Asdurian et al.

[11] Patent Number: Des. 294,478

[45] Date of Patent: \*\* Mar. 1, 1988

## [54] AIRCRAFT

[75] Inventors: Haig Asdurian, Fullerton; Michael G. Huben, Los Angeles; Kenneth M. Shimabukuro, Huntington Beach; David J. McNally; Robert V. Dunkason, both of Torrance, all of Calif.

[73] Assignee: Northrop Corporation, Hawthorne, Calif.

[\*\*] Term: 14 Years

[21] Appl. No.: 689,267

[22] Filed: Jan. 7, 1985

[52] U.S. Cl. .... D12/342; D12/319

[58] Field of Search ..... D12/319, 342; 244/15, 244/52, 36, 12.4, 23 D

## [56] References Cited

### U.S. PATENT DOCUMENTS

3,602,460 8/1971 Whittley ..... 244/12.4  
4,236,684 12/1980 Berrier ..... 244/52

## OTHER PUBLICATIONS

Flight Int'l, Jun. 1983, p. 1732, Advanced Tactical Fighter.

McDonnell Aircraft Co. brochure, F-18, Naval Strike Fighter, p. 11.

*Primary Examiner*—James M. Gandy

*Assistant Examiner*—Kay H. Chin

*Attorney, Agent, or Firm*—Terry J. Anderson; Robert B Block

## [57] CLAIM

The ornamental design for an aircraft, as shown and described.

## DESCRIPTION

FIG. 1 is a top perspective view of an aircraft showing our new design;

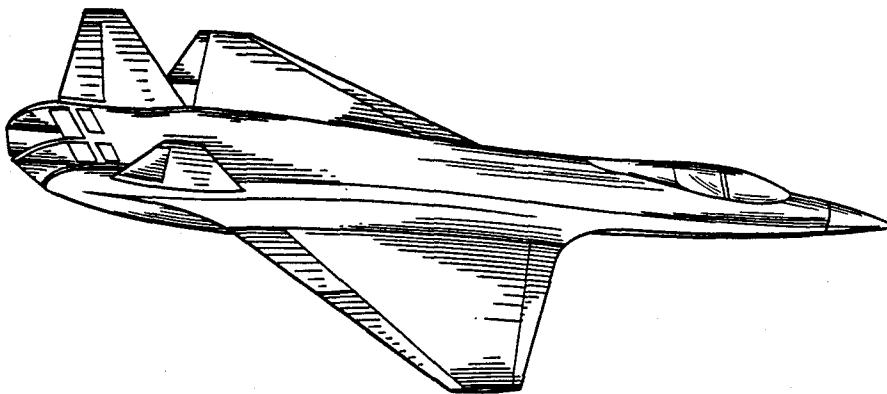
FIG. 2 is a bottom perspective view thereof;

FIG. 3 is a top plan view thereof;

FIG. 4 is a front elevation view thereof;

FIG. 5 is a rear elevation view thereof;

FIG. 6 is a left side elevation view thereof, the right side elevation view being a mirror image of that shown.



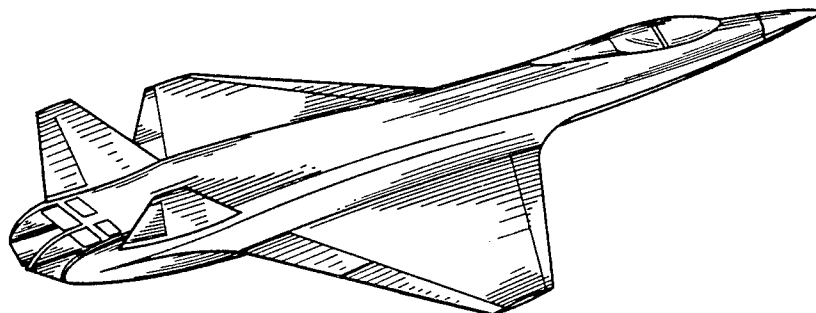


FIG 1

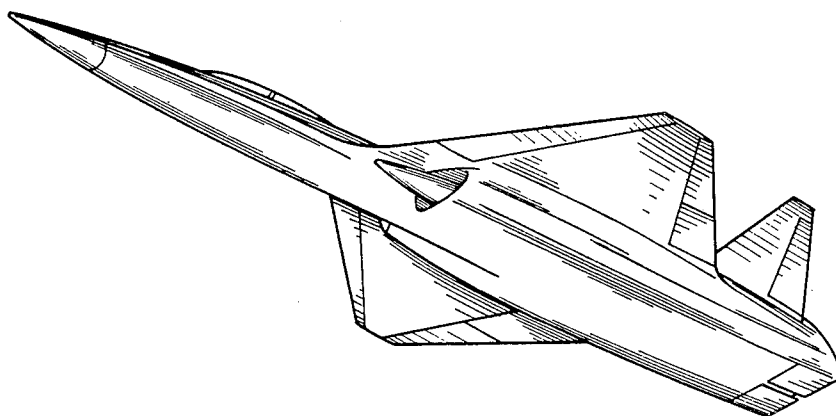


FIG 2

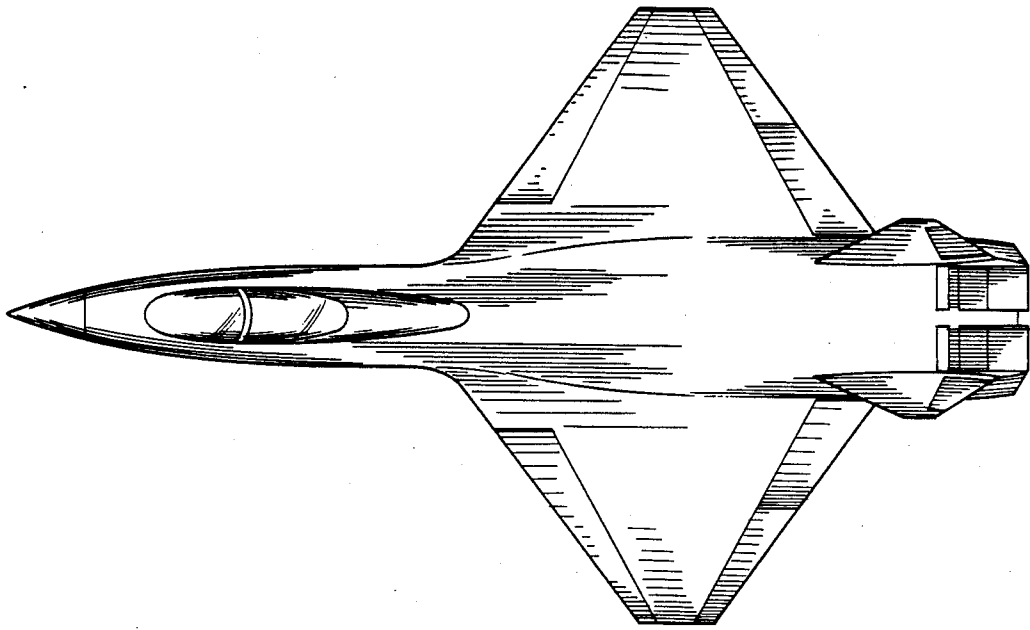


FIG 3

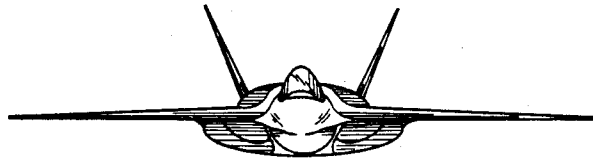


FIG 4

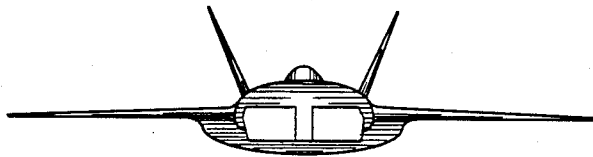


FIG 5

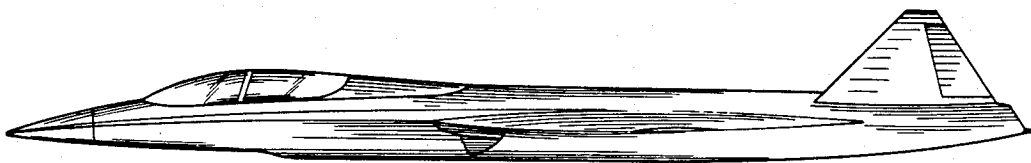


FIG 6